

ILLUSTRATION

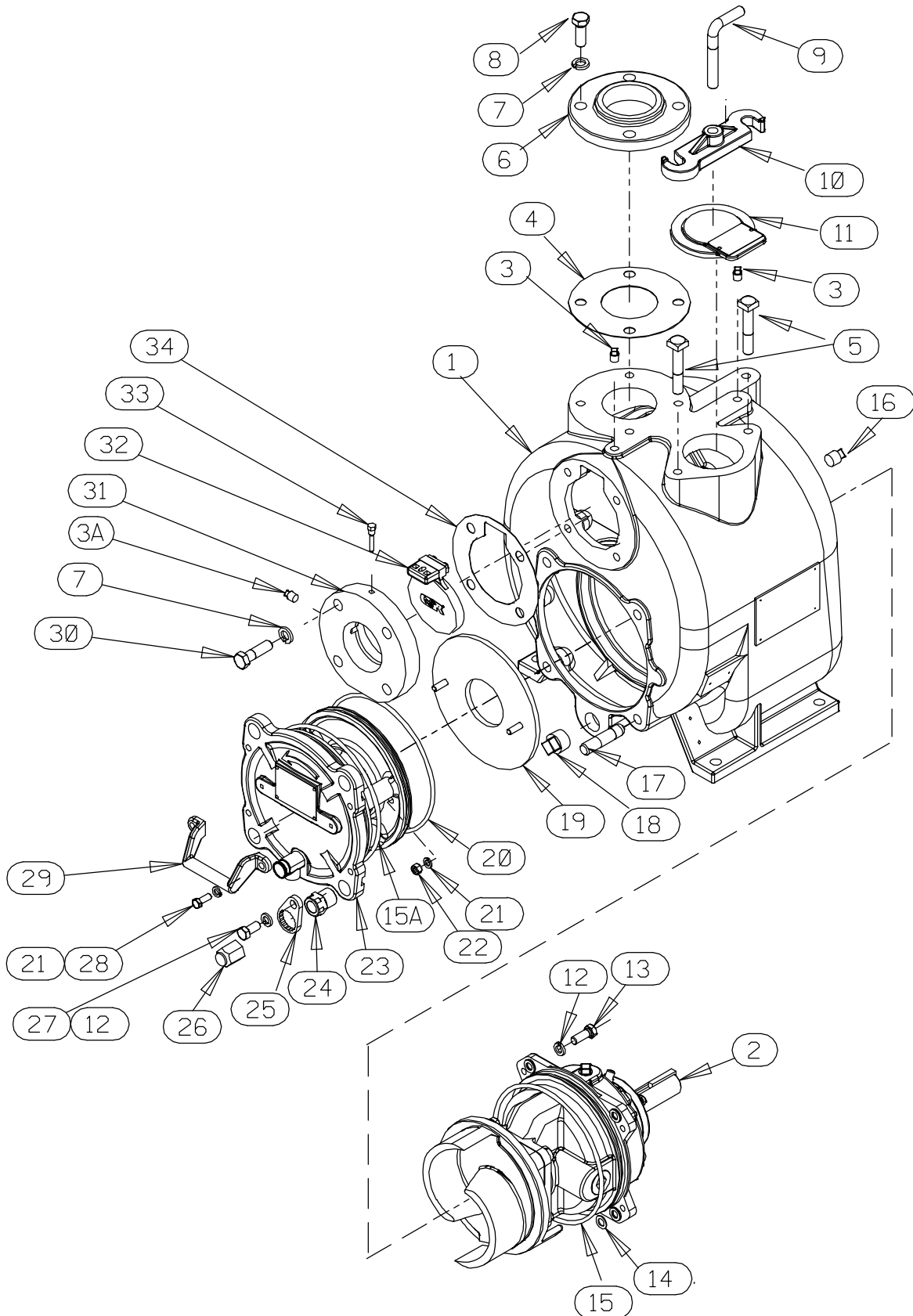


Figure 1. Pump Model T3A60S-B, Including /F, /FM, /WW

PARTS LIST

Pump Model T3A60S-B, Including /F, /FM, /WW

(From S/N 1206228 Up)

If your pump serial number is followed by an "N", your pump is **NOT** a standard production model. Contact the Gorman-Rupp Company to verify part numbers.

ITEM NO.	PART NAME	PART NUMBER	QTY	ITEM NO.	PART NAME	PART NUMBER	QTY
1	PUMP CASING	SEE NOTE BELOW	1	NOT SHOWN:			
2	REPAIR ROTATING ASSY	44163-265	1		WARNING DECAL	2613FE	1
	* /WW REPAIR ROT ASSY	44163-433	1		ROTATION DECAL	2613M	1
3	PIPE PLUG	P04 15079	2		NAME PLATE	38819-002 13000	1
3A	PIPE PLUG	P04 15079	1		DRIVE SCREW	BM#04-03 17000	4
4	* DISCH FLANGE GASKET	25113-033	1		LUBRICATION DECAL	38817-084	1
5	MACHINE BOLT	A1014 15991	2		SUCTION STICKER	6588AG	1
6	DISCH FLANGE	1753A 10010	1		FL HERE TO PRM STK	6588AH	1
7	LOCK WASHER	J10 15991	8		DISCHARGE STICKER	6588BJ	1
8	HEX HEAD CAP SCREW	B1007 15991	4		SUPER "T" DECAL	38812-089	1
9	CLAMP BAR SCREW	31912-009 15000	1		3" G-R DECAL	GR-03	1
10	CLAMP BAR	38111-004 11010	1		INSTRUCTION TAG	38817-023	1
11	FILL COVER PLATE ASSY	42111-344	1		INSTRUCTION TAG	38817-011	1
	-WARNING PLATE	38816-097 13990	1		OPTIONAL:		
	-DRIVE SCREW	BM#04-03 17000	2		DISASSEMBLY TOOL	48711-020	1
	-COVER GASKET	50G 19210	1		/F FLANGE KIT	48213-040	1
12	LOCK WASHER	J08 15991	8		-SUCTION FLG	11412A 10010	1
13	HEX HEAD CAP SCREW	B0805-1/2 15991	4		-DISCHARGE FLG	10845 10010	1
14	ROT ASSY ADJ SHIM	13130-3 17040	8		O-RINGS (S1748):		
15	* BRG HSG O-RING	S1748	1	★	-AFLAS®	25150-411	1
15A	* BACK COVER O-RING	S1748	1	✓	-VITON™	25154-447	1
16	PIPE PLUG	P08 15079	1		-EPDM	25150-921	1
17	STUD	C1213 15991	4		-NEOPRENE	25151-447	1
18	CASING DRAIN PLUG	P16 10009	1		CASING HEATERS:		
19	* WEAR PLATE ASSY	11407A 15990	1		-120V	47811-078	1
20	* O-RING	25152-446	1		-240V	47811-079	1
21	LOCK WASHER	J06 15991	4		CHECK VALVE ASSYS:		
22	HEX NUT	D06 15991	2		-NEO SOLID TYPE	46411-043	1
23	BACK CVR PLATE ASSY	42111-801	1	✓	-VITON SOLID	46411-086	1
	-WARNING PLATE	2613EV 13990	1	✓	-VITON BLOW-OUT	46411-074	1
	-DRIVE SCREW	BM#04-03 17000	4		-BUNA-N	46411-102	1
	-WARNING DECAL	38816-302	1		-EPDM	46411-120	1
	* -PRESS RELIEF VALVE	26662-005	1		PRESS RELIEF VALVES:		
24	ADJUSTING SCREW	31871-070 1500G	4		-STAINLESS STEEL	46431-803	1
25	LOCK COLLAR	38115-551 15001	4		HI TEMP SHUT-DOWN KITS:		
26	BACK COVER NUT	31871-073 15000	4		-145°F	48313-186	1
27	HEX HEAD CAP SCREW	B0804-1/2 15991	4		-130°F	48313-256	1
28	HEX HEAD CAP SCREW	B0604 15991	2		-120°F	48313-257	1
29	HANDLE	12354 13010	1		HI TEMP SHUT-DOWN	48313-172	1
30	HEX HEAD CAP SCREW	B1009 15991	4		THERMOSTAT KITS 145°F		
31	SUCTION FLANGE	11412 10010	1		AIR RELEASE VALVES:		
32	* FLAP VALVE ASSY	46411-060	1		-10# COMP SPRING	GRP33-07A	1
33	CHECK VALVE PIN	11557A 17010	1		-25# COMP SPRING	GRP33-07	1
34	* SUCT FLANGE GASKET	11412G 19370	1		-80# COMP SPRING	GRP33-07B	1
					A/R VALVE MOUNT KIT	46331-515	1

* INDICATES PARTS RECOMMENDED FOR STOCK

☞ INCLUDED WITH REPAIR 46472-720 1
PUMP CASING ASSY

✓ VITON® IS A REGISTERED TRADEMARK OF THE DUPONT CORP
★ AFLAS® IS A PRODUCT OF THE 3M CORP

ILLUSTRATION

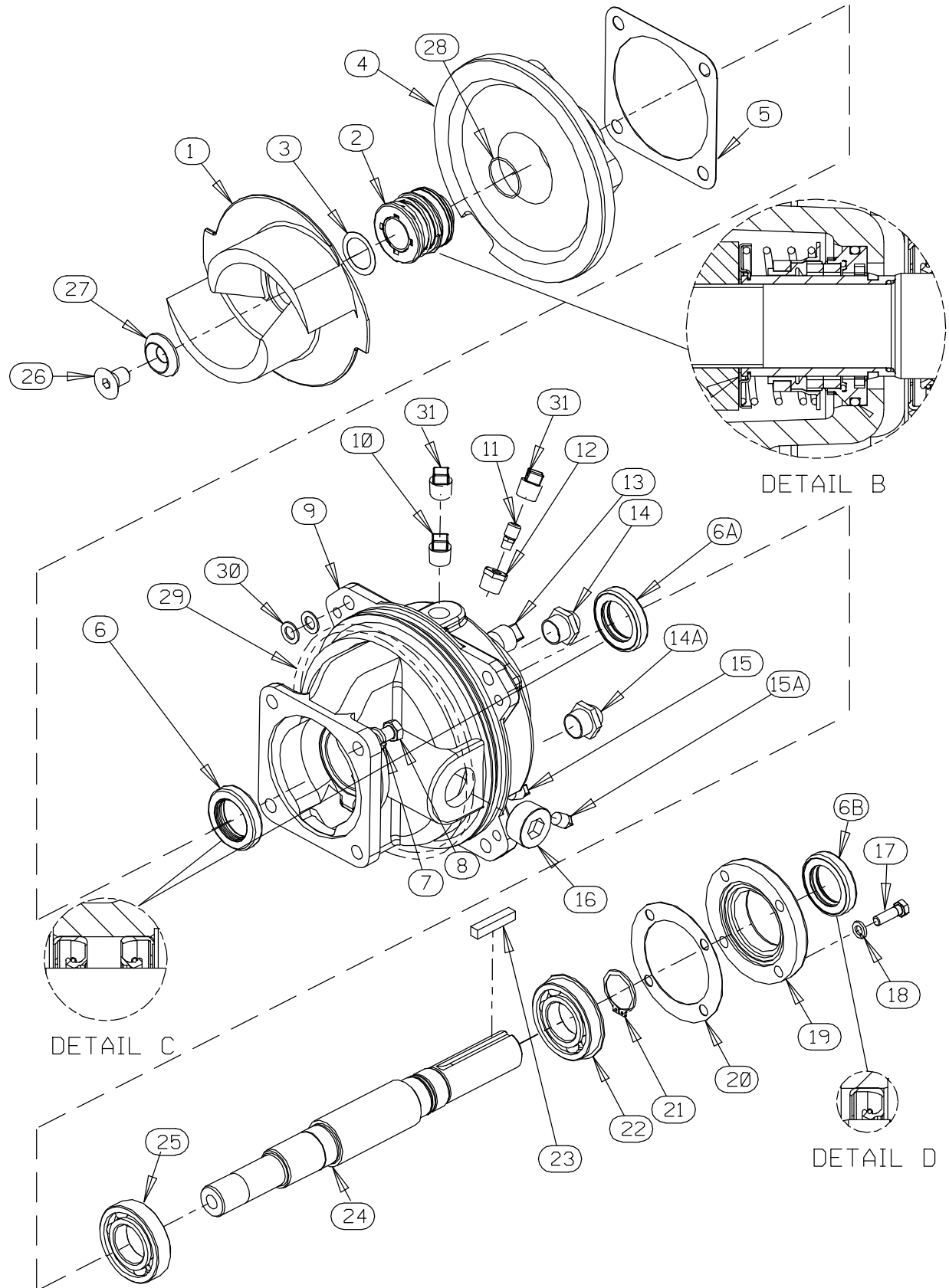


Figure 2. Repair Rotating Assemblies

PARTS LIST

Repair Rotating Assemblies

Note: Order complete Repair Rotating Assembly for /WW model from the Pump Model Assembly Parts List on page E-3. Repair Rotating Assembly for /WW models include all of the standard parts listed below.

ITEM NO.	PART NAME	PART NUMBER	QTY	ITEM NO.	PART NAME	PART NUMBER	QTY
1	IMPELLER	11406 11010	1	30	ADJ SHIM	13130-3 17040	8
2 *	CARTRIDGE SEAL ASSY	46513-151	1	31	SHIPPING PLUG	11495B 15079	2
3	ADJ SHIM SET	37J 17090	REF	NOT SHOWN:			
4	SEAL PLATE	11837D 10010	1		S/N PLATE	2613GG 13990	1
5 *	GASKET	10959G 20000	1		DRIVE SCREW	BM#04-03 17000	2
6 *	OIL SEAL	S1352	1		ROTATION DECAL	2613M	1
6A *	OIL SEAL	S1352	1		INSTRUCTION TAG	6588U	1
6B *	OIL SEAL	S1352	1	OPTIONAL:			
7	LOCK WASHER	J08 15991	4		ADI IMPELLER	11406 1102H	1
8	HEX HEAD CAP SCREW	B0805 15991	4		ADI SEAL PLATE	11837D 1102H	1
9	BEARING HOUSING	38251-410 10010	1		HARDENED STEEL		
10	VENTED PIPE PLUG	4823A 15079	1		WEAR PLATE	46451-337 24160	1
11	AIR VENT	S1530	1	STAINLESS STEEL PARTS:			
12	RED PIPE BUSHING	AP0802 15079	1		-SST CART SEAL ASSY	46513-156	1
13	PIPE PLUG	P12 15079	1		-IMP SHAFT	38514-563 1706H	1
14	SEAL CVTY SIGHT GAUGE	S1471	1		-IMP SHAFT		
14A	BRG CVTY SIGHT GAUGE	S1471	1		-(LESS SLEEVE)	38514-564 1706H	1
15	SEAL CVTY DRAIN PLUG	P04 15079	1		-SEAL ASSY (LESS SLV)	46512-047	1
15A	BRG CVTY DRAIN PLUG	P04 15079	1		-SPACER WASHER		
16	SOC HD PIPE PLUG	PC20 10009	1		-(FOR SST SHAFT)	38329-040 17130	1
17	HEX HEAD CAP SCREW	B0605 15991	4		-IMP WASHER	31167-029 1706H	1
18	LOCK WASHER	J06 15991	4		-IMP CAPSCREW	31167-029 1704H	1
19	BEARING CAP	38322-219 10010	1		-SEAL PLATE (CD4MCU)	11837D 1718H	1
20 *	BEARING CAP GASKET	38683-268 18000	1		-SEAL PLATE (316)	11837D 17070	1
21	SNAP RING	S244	1	†	STD MECHANICAL		
22 *	BALL BEARING	S1749	1		SEAL ASSEMBLY	12364A	1
23 *	KEY	N0608 15990	1	†	MECHANICAL SEAL		
24 *	IMPELLER SHAFT	38514-563 16040	1		SHAFT SLEEVE	11876A 16000	1
25 *	BALL BEARING	23252-013	1	† ★	AFLAS SEAL (USE W/SST SLEEVE		
26	FLAT HD SOCKET SCREW	F1004S 1500G	1		OR SOLID SST SHAFT)	46512-194	1
27	IMPELLER WASHER	31167-029 16000	1	†	METAL BELLOWS MECH SEAL ASSY		
28 *	O-RING	25154-022	REF	✓	(VITON OR EQUAL)	46512-147	1
29 *	O-RING	S1748	1	†	METAL BELLOWS MECH SEAL ASSY		
				✓	(KALREZ)	46512-142	1

* INDICATES PARTS RECOMMENDED FOR STOCK

† OPTIONAL MECHANICAL SEAL(S) MUST BE USED WITH MECHANICAL SEAL SHAFT SLEEVE OR SOLID SST SHAFT.

✓ KALREZ® AND VITON™ ARE REGISTERED TRADEMARKS OF THE DUPONT CORP.

★ AFLAS® IS A REGISTERED TRADEMARK OF THE 3M CORP.