

ILLUSTRATION

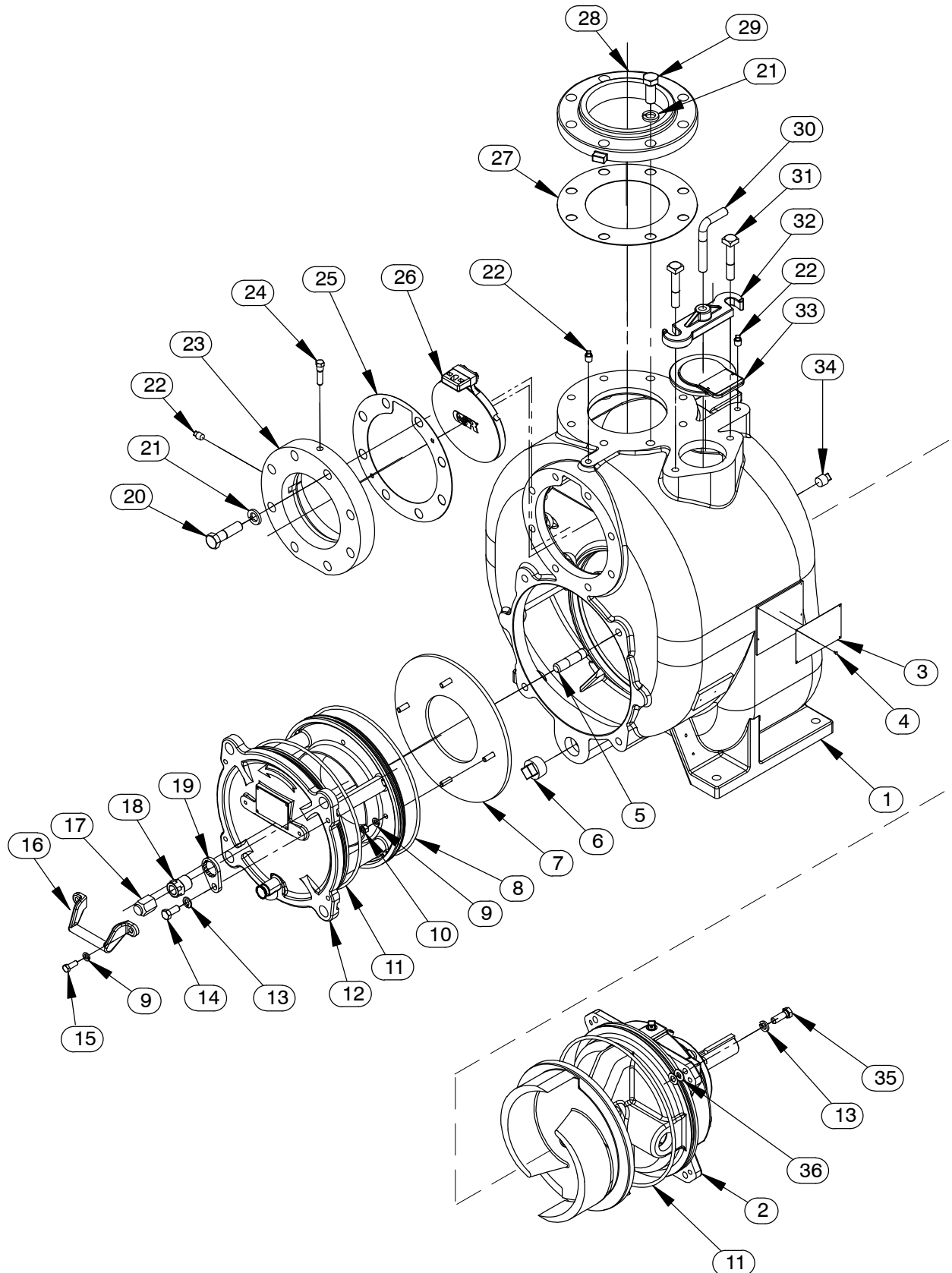


Figure 1. Pump Model T6A60S-B, including /F, /FM, /WW

PARTS LIST
Pump Model T6A60S-B, including /F, /FM, /WW
 (From S/N 1206472 Up)

If your pump serial number is followed by an "N", your pump is **NOT** a standard production model. Contact the Gorman-Rupp Company to verify part numbers.

ITEM NO.	PART NAME	PART NUMBER	QTY	ITEM NO.	PART NAME	PART NUMBER	QTY
1	PUMP CASING	SEE NOTE BELOW	1		-COVER GASKET	50G 19210	1
2	REPAIR ROTATING ASSY	44163-280	1	34	PIPE PLUG	P08 15079	1
	/WW REPAIR ROT ASSY	44163-435	1	35	HEX HEAD CAP SCREW	B0806 15991	4
3	NAMEPLATE BLANK	38819-002 13000	1	36	ADJ SHIM	13131-3 17040	8
4	DRIVE SCREW	BM#04-03 17000	4	NOT SHOWN:			
5	STUD	C1213 15991	4		LUBRICATION DECAL	38817-084	1
6	PIPE PLUG	P20 10009	1		ROTATION DECAL	2613M	1
7 *	WEAR PLATE ASSY	46451-723 24150	1		WARNING DECAL	2613FE	1
8 *	O-RING	25152-453	1		SUCTION STICKER	6588AG	1
9	LOCK WASHER	J06 15991	6		FL HERE TO PRM STK	6588AH	1
10	HEX NUT	D06 15991	4		DISCHARGE STICKER	6588BJ	1
11 *	O-RING	S1676	2		SUPER "T" DECAL	38812-089	1
12	BACK CVR PLATE ASSY	42111-803	1		G-R DECAL	GR-03	1
	-WARNING PLATE	2613EV 13990	1		INSTR TAG	38817-023	1
	-DRIVE SCREW	BM#04-03 17000	4	OPTIONAL:			
	* -PRESS RELIEF VALVE	26662-005	1		DISASSEMBLY TOOL	48711-020	1
	-WARNING DECAL	38816-302	1		/F FLANGE KIT	48213-041	1
13	LOCK WASHER	J08 15991	8		/FM METRIC FLANGE KIT	48213-078	1
14	HEX HEAD CAP SCREW	B0804-1/2 15991	4		WEAR PLATES:		
15	HEX HEAD CAP SCREW	B0604 15991	2		-SPA ALLOY	46451-729 24160	1
16	COVER PLATE HANDLE	12354 13010	1		-TUNGSTEN CARBIDE	46451-726 2415D	1
17	BACK COVER NUT	31871-073 15000	4		-STAINLESS STEEL	46451-723 1718H	1
18	ADJUSTING SCREW	31871-070 1500G	4		CASING HEATERS:		
19	LOCK COLLAR	38115-551 15001	4		-120V	47811-080	1
20	HEX HEAD CAP SCREW				-240V	47811-081	1
	T6A60S-B	B1211 15991	8		CHECK VALVE ASSYS:		
	T6A60S-B /F, /FM, /WW:				-NEO SOLID TYPE	46411-019	1
		B1208 15991	6	✓	-VITON SOLID	46411-078	1
		B1211 15991	2	✓	-VITON BLOW-OUT	46411-088	1
21	LOCK WASHER	J12 15991	16		PRESS RELIEF VALVES:		
22	PIPE PLUG	P04 15079	3		-SEWAGE TYPE	46431-803	1
23	SUCTION FLANGE	11402 10010	1		-STAINLESS STEEL	46431-803	1
24	CHECK VALVE PIN	11645 17010	1		HI TEMP SHUT-DOWN KITS:		
25 *	SUCT FLANGE GASKET	11402G 19370	1		-145°F	48313-186	1
26 *	6" FLAP VALVE ASSY	46411-064	1		-130°F	48313-256	1
27 *	GASKET	25113-036	1		-120°F	48313-257	1
28	6" NPT FLANGE	1758 10010	1		HIGH TEMP SHUT-DOWN		
29	HEX HEAD CAP SCREW	B1208 15991	8		THERMOSTAT KIT 145°F	48313-172	1
30	SCREW-CLAMP BAR	31912-009 15000	1		AIR RELEASE VALVES:		
31	SQUARE HEAD BOLT	A1014 15991	2		-10# COMP SPRING	GRP33-07A	1
32	CLAMP BAR	38111-004 11010	1		-25# COMP SPRING	GRP33-07	1
33	COVER PLATE ASSY	42111-344	1		-80# COMP SPRING	GRP33-07B	1
	-WARNING PLATE	38816-097 13990	1		BACK COVER O-RINGS		
	-DRIVE SCREW	BM#04-03 17000	2	✓	-VITON	25154-454	1

* INDICATES PARTS RECOMMENDED FOR STOCK

☞ INCLUDED WITH REPAIR 46472-722 1
 PUMP CASING ASSY

✓ VITON® IS A REGISTERED TRADEMARK OF THE DUPONT CORP.

COMPLETE GASKET/O-RING AND SHAFT REPAIR KITS AVAILABLE - CONSULT FACTORY.

ILLUSTRATION

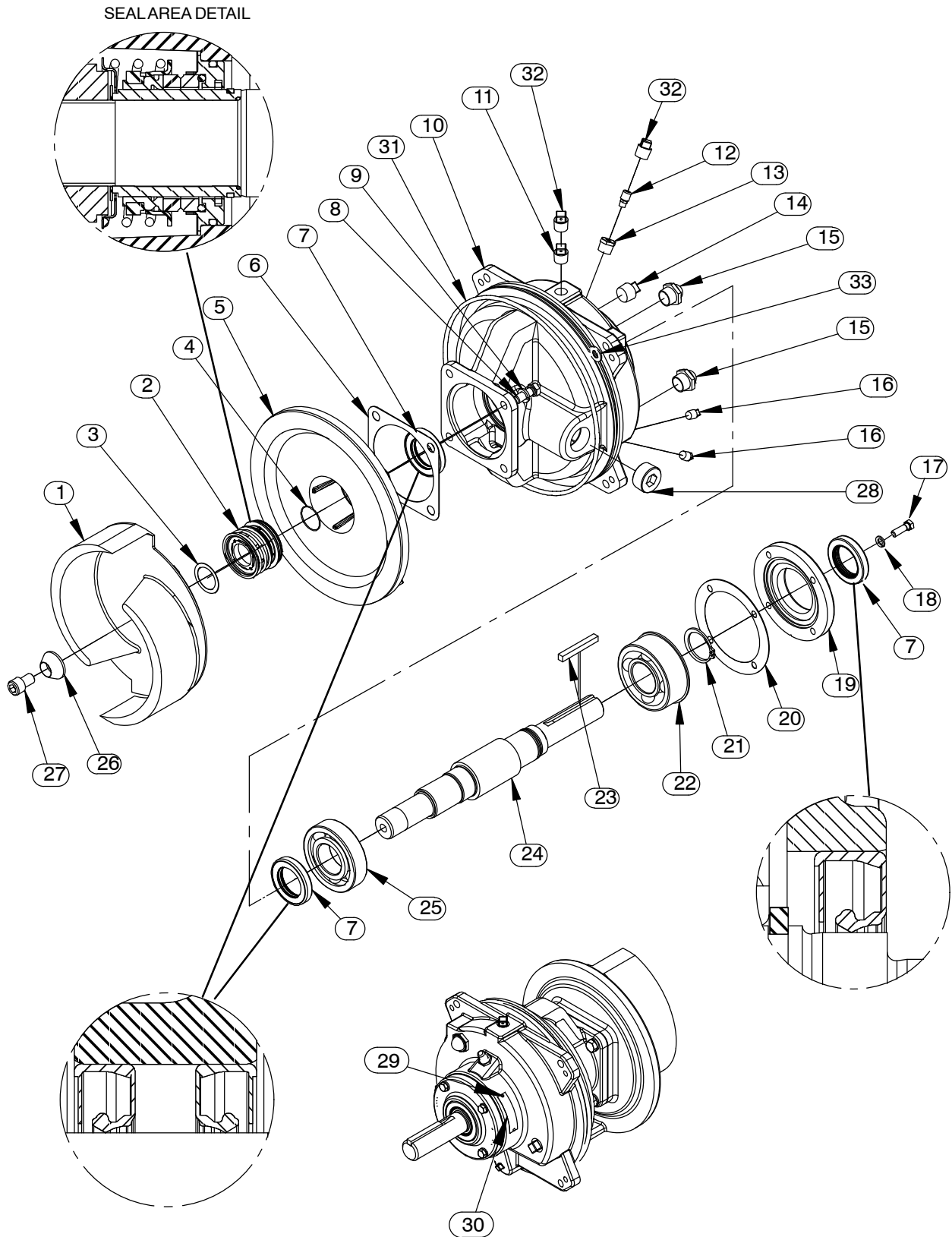


Figure 2. Repair Rotating Assemblies

PARTS LIST

Repair Rotating Assemblies

Note: Order complete Repair Rotating Assemblies from the Pump Model Assembly Parts List on page E-3. Repair Rotating Assembly for /WW models include all of the standard parts listed below.

ITEM NO.	PART NAME	PART NUMBER	QTY
1	* IMPELLER	38615-087 11010	1
2	* SEAL ASSY	46513-154	1
3	ADJ SHIM SET	5091 17090	1
4	* O-RING	25154-026	1
5	SEAL PLATE	38272-254 10010	1
6	* GASKET	10959G 20000	1
7	* OIL SEAL	S1917	3
8	HEX HEAD CAP SCREW	B0805-1/2 15991	4
9	LOCK WASHER	J08 15991	4
10	BEARING HOUSING	38251-514 10000	1
11	VENTED PIPE PLUG	4823A 15079	1
12	AIR VENT	S1530	1
13	REDUCER PIPE BUSHING	AP0802 15079	1
14	PIPE PLUG	P12 15079	1
15	SIGHT GAUGE	S1471	2
16	PIPE PLUG	P04 15079	2
17	HEX HEAD CAP SCREW	B0605 15991	4
18	LOCK WASHER	J06 15991	4
19	BEARING CAP	38322-430 10010	1
20	* BEARING CAP GASKET	38683-473 18000	1
21	SNAP RING	24124-425	1
22	* BALL BEARING	S1030	1
23	* KEY	N0612 15990	1
24	* IMPELLER SHAFT	38514-818 16040	1
25	* BALL BEARING	S616	1
26	* IMPELLER WASHER	10278 15030	1
27	* SOCKET HEAD CAP SCREW	DM1004S 15991	1
28	PIPE PLUG	PC20 10009	1
29	DRIVE SCREW	BM#04-03 17000	2
30	ASSEMBLY PLATE	2613GG 13990	1
31	* O-RING	S1676	1
32	SHIPPING PLUG	11495B 15079	2
33	SHIM	13131-3 17040	8
NOT SHOWN:			
	ROTATION DECAL	2613M	1
	INSTRUCTION TAG	6588U	1
OPTIONAL:			
	STAINLESS STEEL PARTS		
	-IMPELLER WASHER	10278 17090	1
	-IMPELLER CAPSCREW	DM1004S 17090	1

* INDICATES PARTS RECOMMENDED FOR STOCK

COMPLETE GASKET/O-RING AND SHAFT REPAIR KITS AVAILABLE – CONSULT FACTORY.